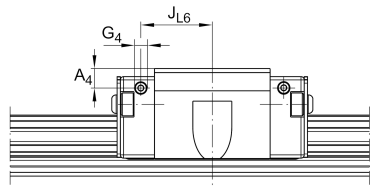
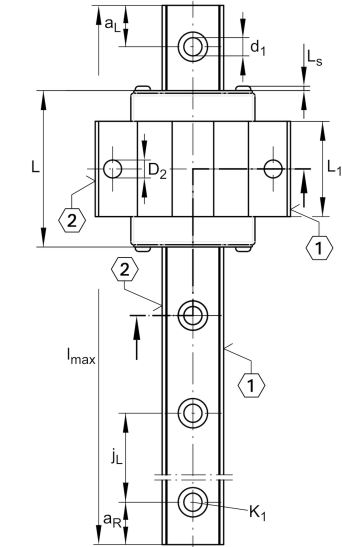
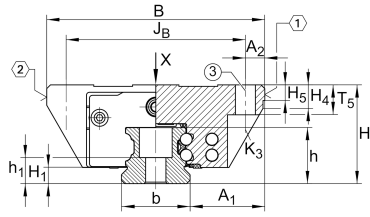
**KWVE20-B-EC**

Recirculating ball bearing carriage

Carriages KWVE...-B-EC, expanded interchangeability, short carriage, four-row

Teknik bilgiler

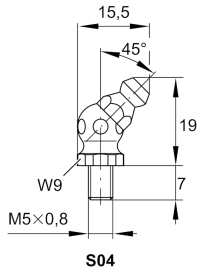
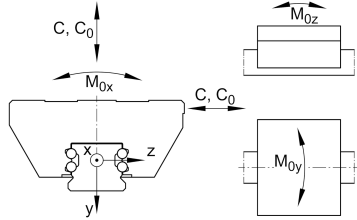
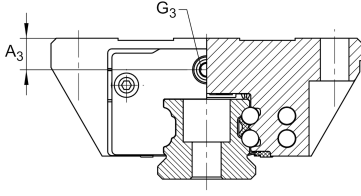


Mevcut ürün modeliniz

| | | |
|-----------------|----|---|
| Size code | 20 | |
| Version | B | |
| Carriage design | EC | Expanded design, short carriage (carriage without screw threads) |

Main Dimensions & Performance Data

| | | |
|-----------------|----------|-----------------------------------|
| H | 28 mm | Height system |
| B | 59 mm | Width carriage |
| L | 50,4 mm | Overall length carriage |
| C | 8.900 N | Dynamic load rating |
| C ₀ | 15.400 N | Static load rating |
| M _{0x} | 190 Nm | Static moment rating about X axis |
| M _{0y} | 85 Nm | Static moment rating about Y axis |
| M _{0z} | 85 Nm | Static moment rating about Z axis |
| ≈m | 0,23 kg | Ağırlık |



Mounting dimensions

| | | |
|------------------------------|---------|--|
| A ₁ | 19,5 mm | Distance from locating edge on carriage to locating edge on guideway |
| J _B | 49 mm | |
| b | 20 mm | Width rail |
| A ₂ | 5 mm | Distance from locating edge to hole |
| L ₁ | 29,4 mm | |
| L _S | 1,65 mm | |
| H ₁ | 4,5 mm | Free space, system dimension |
| H ₄ | 11,2 mm | |
| H ₅ | 5,25 mm | |
| T ₅ | 9 mm | Thread depth |
| K ₃ | M5 | Fixing screws below (DIN ISO 4762-12.9) |
| K _{3 M_A} | 10 Nm | Maximum tightening torque |
| D ₂ | 5,5 mm | |
| A ₃ | 6 mm | Position lubrication connector |
| G ₃ | M5 | Lubrication connector |
| t _{G₃} | 7 mm | Maximum permissible screw depth for lubrication connectors |
| A ₄ | 4,3 mm | Position lubrication connector |
| G ₄ | M3 | Lubrication connector |
| t _{G₄} | 5,5 mm | Maximum permissible screw depth for lubrication connectors |
| J _{L6} | 18,9 mm | Position lubrication connector |

Additional information

| | | |
|----------|------|---------------|
| VMKB_065 | KWVE | Material name |
|----------|------|---------------|